

Name : _____

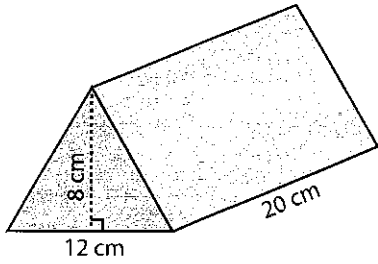
Score : _____

Volume of Triangular Prism

ES1

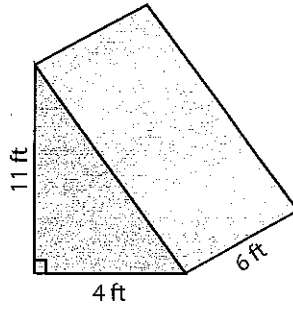
Find the volume of each triangular prism.

1)



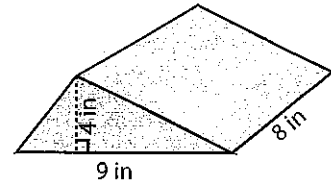
Volume = _____

2)



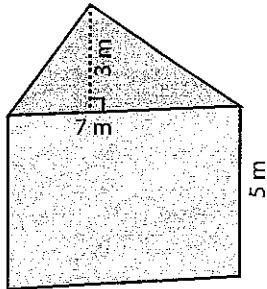
Volume = _____

3)



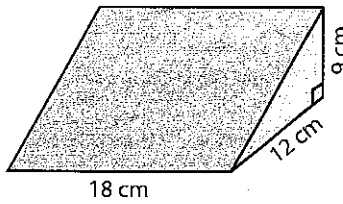
Volume = _____

4)



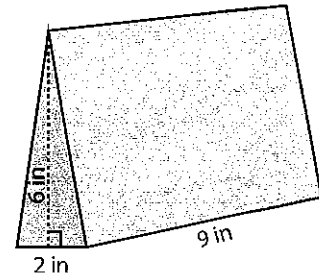
Volume = _____

5)



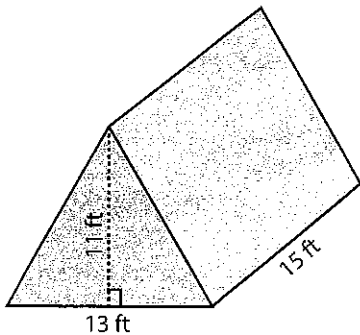
Volume = _____

6)



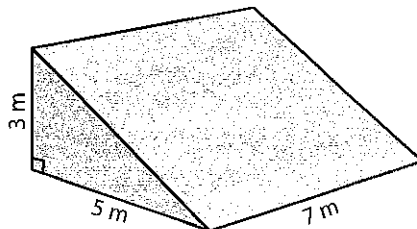
Volume = _____

7)



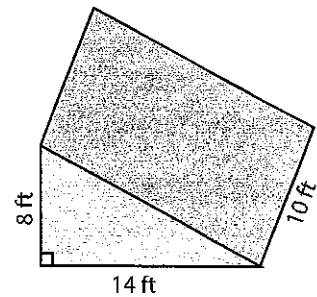
Volume = _____

8)



Volume = _____

9)



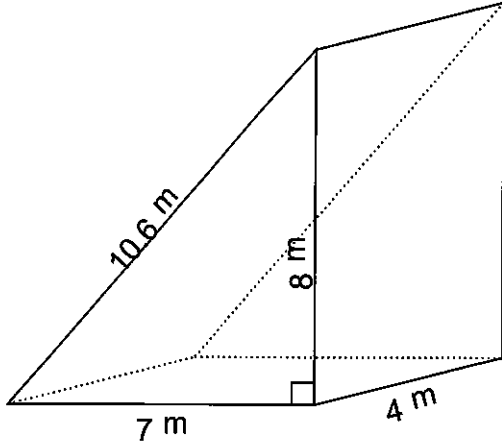
Volume = _____



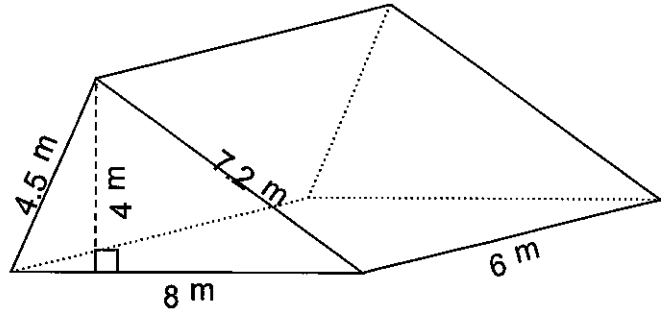
Name: _____

Calculate the Volume

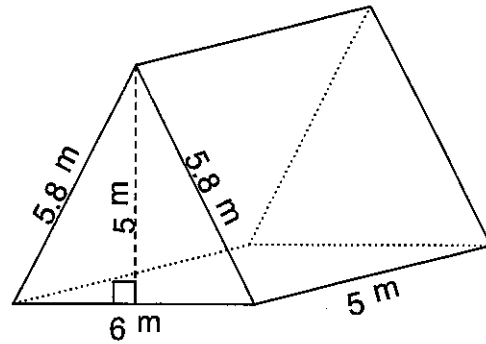
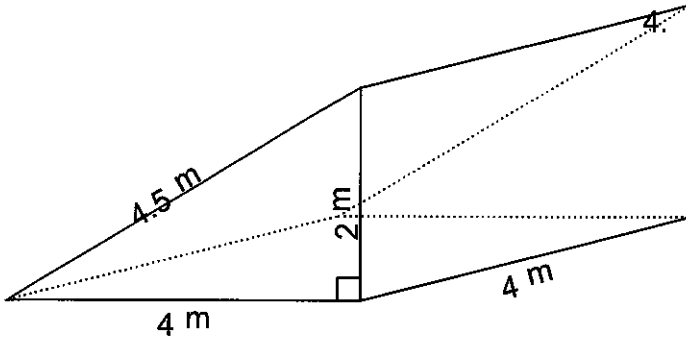
1.



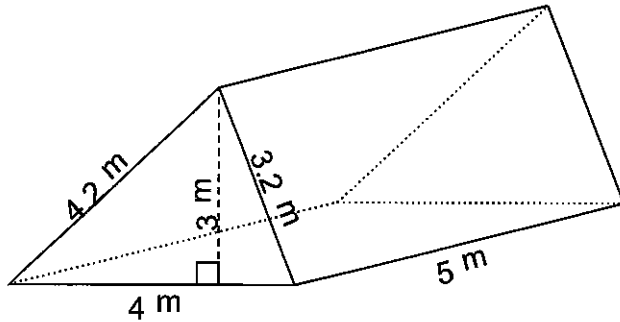
2.



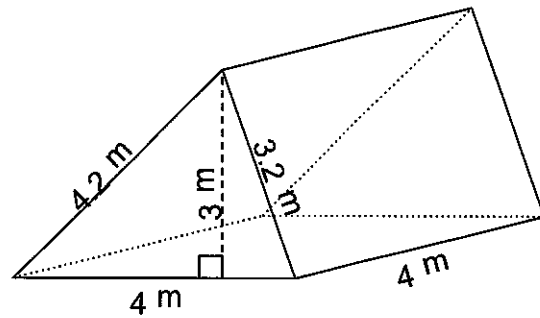
3.



5.



6.

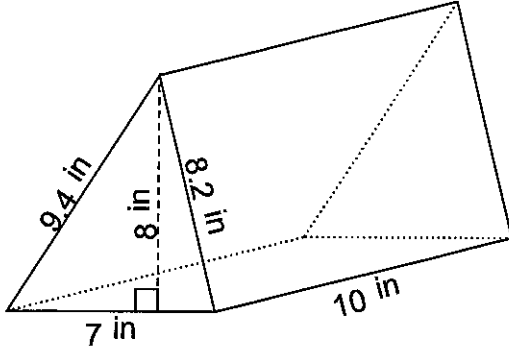




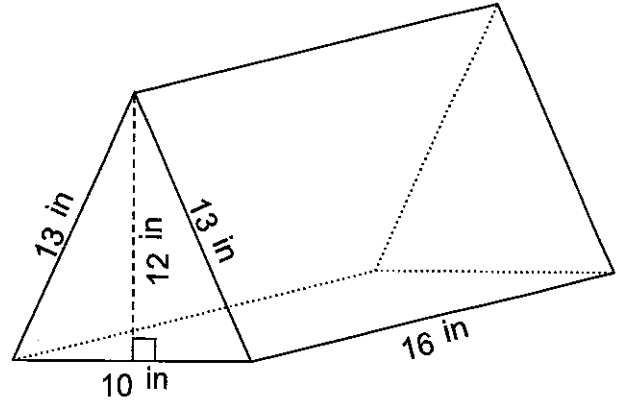
Name: _____

Calculate the Surface Area

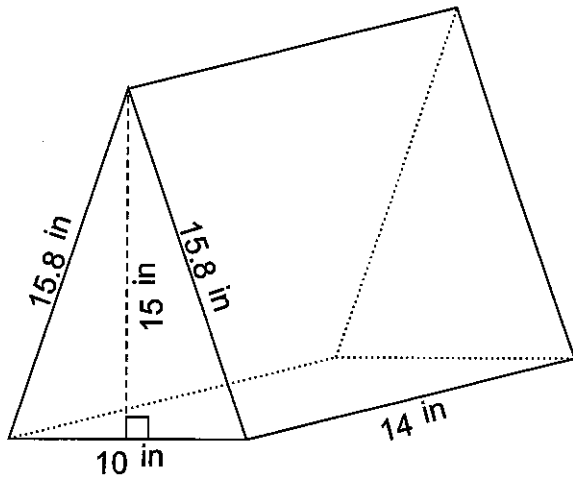
1.



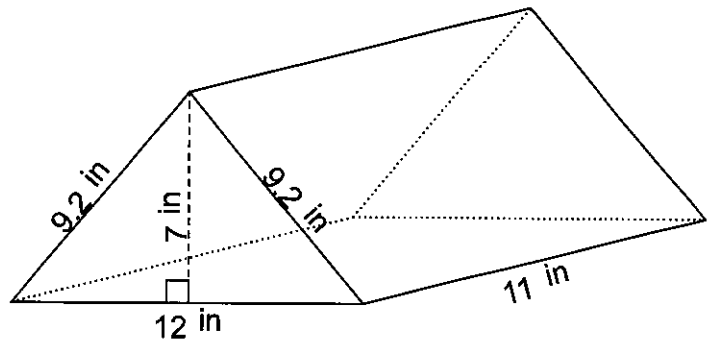
2.



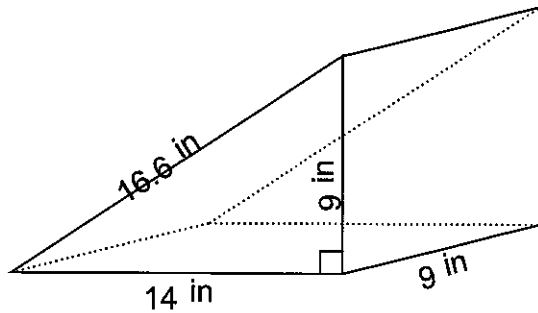
3.



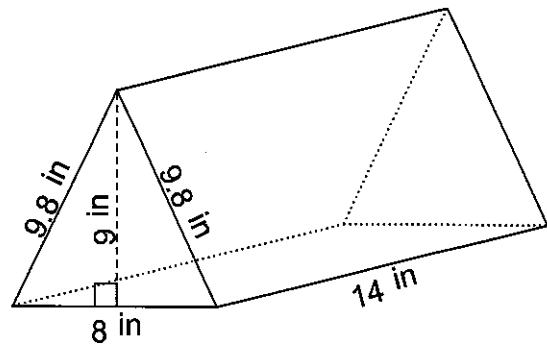
4.



5.



6.

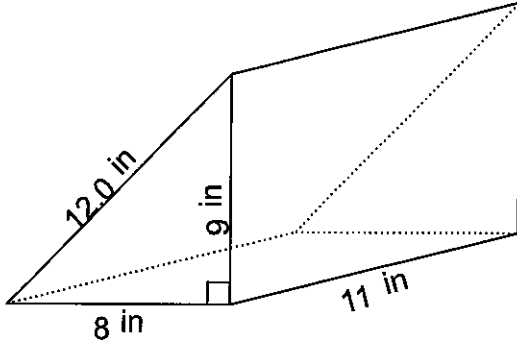




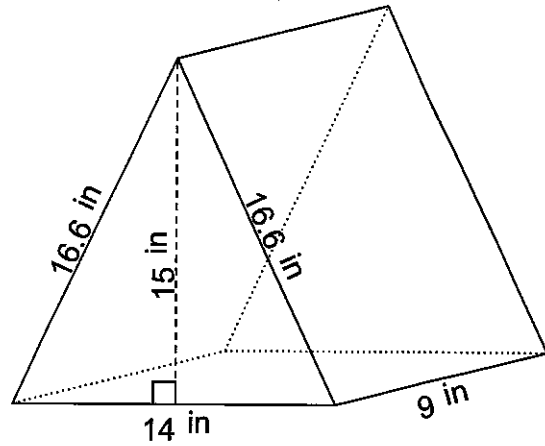
Name: _____

Calculate the Volume

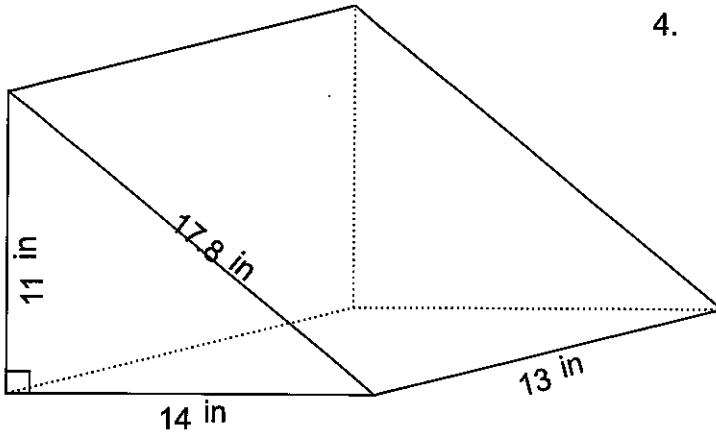
1.



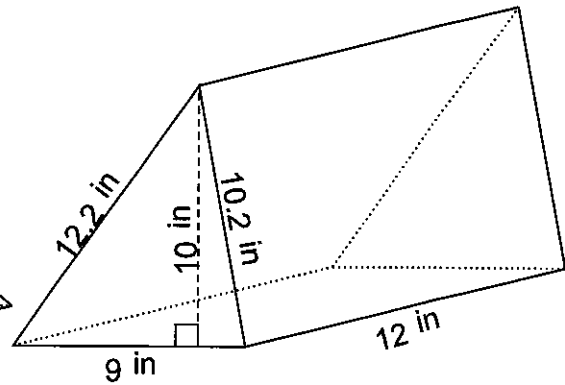
2.



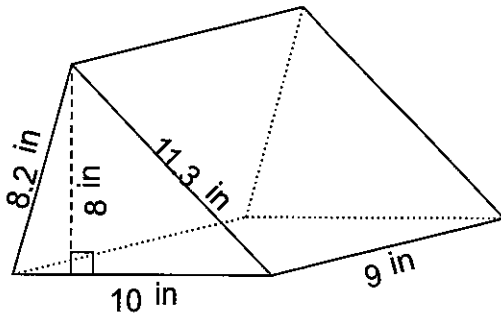
3.



4.



5.



6.

